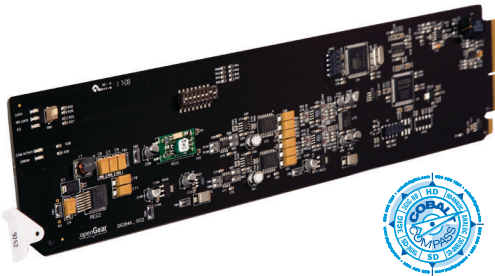


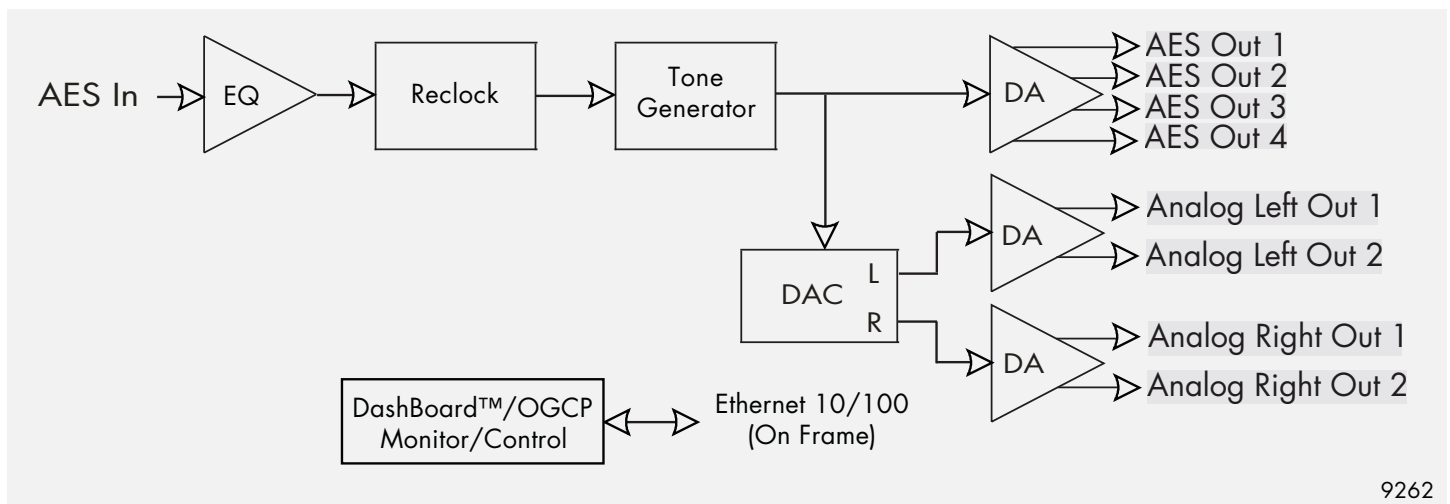
9262 » STEREO AES TO ANALOG AUDIO D/A CONVERTER



The 9262 features digital-to-analog audio conversion with AES/EBU signal distribution. It supports audio sampling frequencies from 30 kHz to 192 kHz, and converts the incoming AES digital audio signal to a stereo balanced analog audio signal pair using 24-bit conversion. Cable equalization and reclocking techniques enable the 9262 to reliably recover the incoming digital audio signal.

» FEATURES

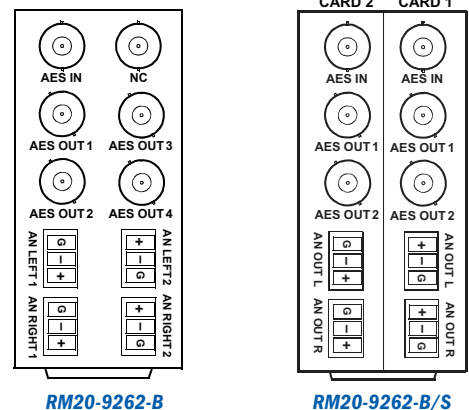
- 24-bit audio conversion
- Supports audio sampling frequencies from 30 kHz to 192 kHz
- Cable equalization and data reclocking on incoming AES/EBU signal
- Remote control/monitoring via DashBoard™ software
- Five year warranty



9262

» SPECIFICATIONS

Electrical		Analog Audio Output	
Power:	4 watts	Number of Outputs:	4
AES Input		Impedance:	60 Ω balanced
Number of inputs:	1 unbalanced (2 Ch)	Freq. Response:	+/-0.2 dB at 20 Hz to 20 kHz
Impedance:	75 Ω	Max Level:	+24 dBu
Resolution:	24-bit	THD+N:	<0.01%
Level:	0.2 - 7 Vp-p	Noise:	-84 dBu at 20 Hz to 20 kHz
Sample rate:	30 kHz to 192 kHz		
AES Output			
Number of outputs:	4 unbalanced		
Impedance:	75 Ω		
Resolution:	24-bit		
Level:	1 Vp-p		
Sample rate:	30 kHz to 192 kHz		
Jitter:	<5 ns		



» ORDERING INFORMATION

- 9262** AES/EBU Digital to Stereo Analog Audio Converter
- RM20-9262-B** 20-Slot Frame Rear I/O Module (Standard Width) 1 AES Input BNC, 4 AES Reclocked Output BNCs, 4 Analog Audio Outputs
- RM20-9262-B/S** 20-Slot Frame Rear I/O Module (Split) Dual AES Input, 2 AES Outputs per card, 2 Analog Outputs (Stereo Pair) per card